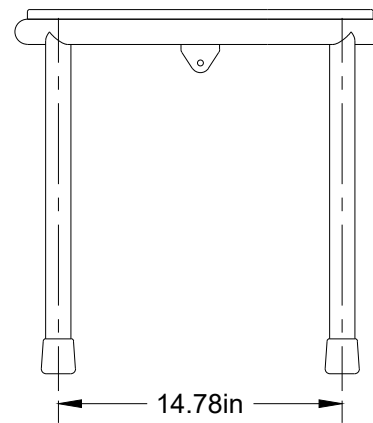
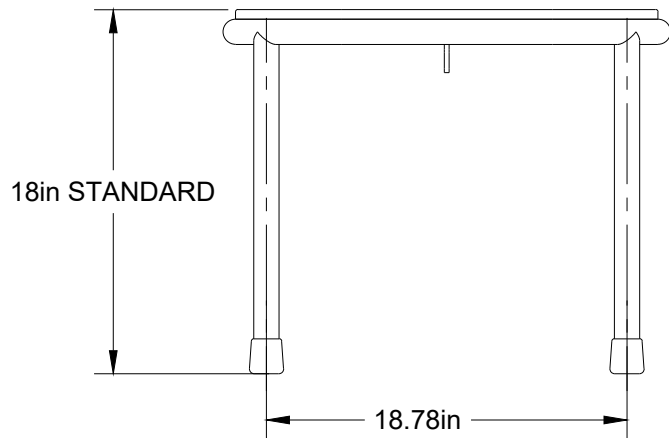
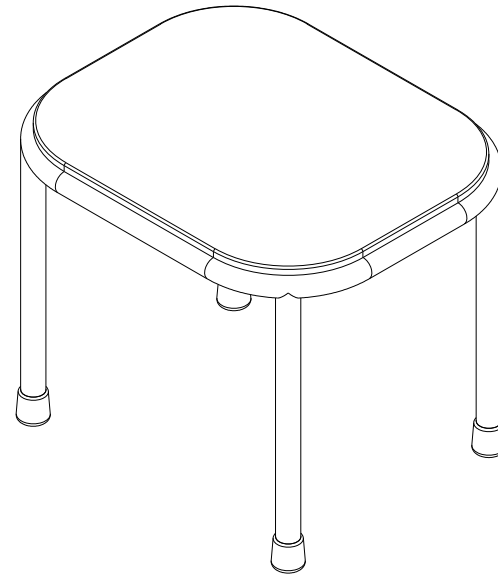
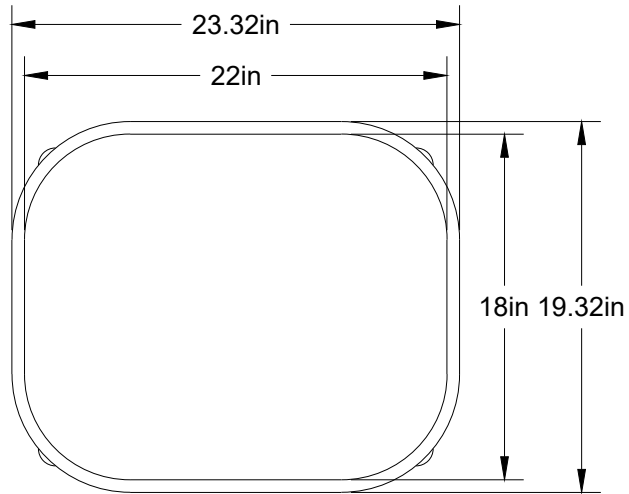


**GENERAL NOTES:**

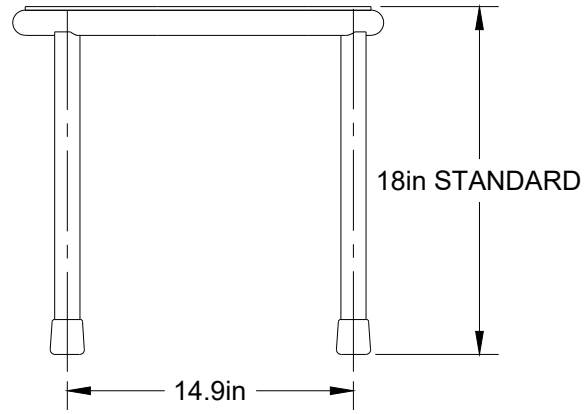
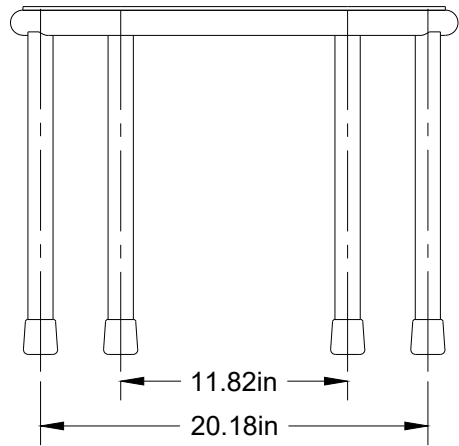
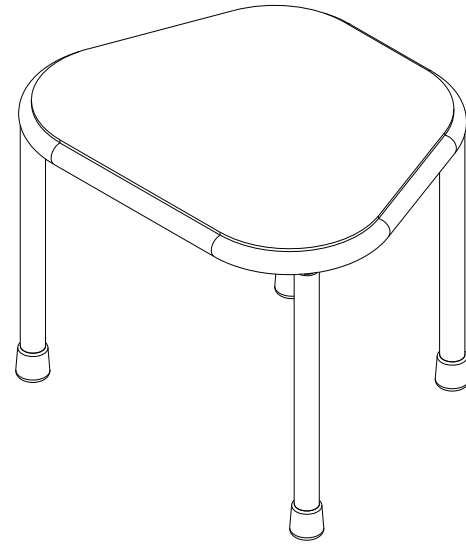
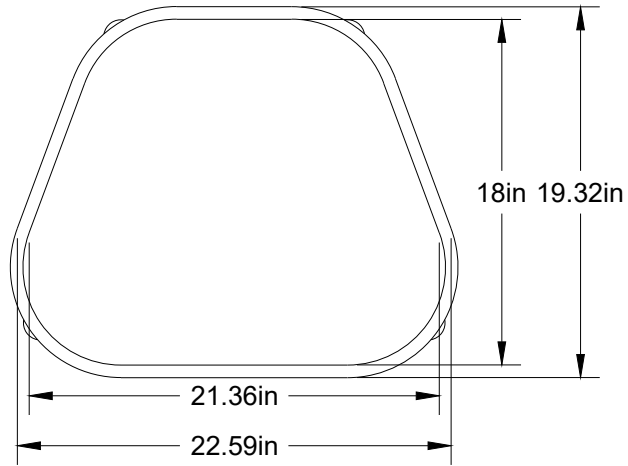
1. FINISH: VARIES.
2. TOLERANCE  $\pm 0.25$ " UNLESS NOTED.
3. DEBURR AND BREAK ALL CUT EDGES.

**WELDING NOTES**

4. WELD WITH 5356 AL FILLER WIRE.



PROJECT	Casting Platforms		WT
TITLE	Standard 22"x18"x18"		REV
SIZE	A	SCALE 1:8	DWG NO
SHEET			1/2



PROJECT <b>Casting Platforms</b>			WT
TITLE <b>Standard 22"x18"x18"</b>			REV
SIZE A	SCALE 1:10	DWG NO	SHEET 2/2